



CTC V35

Compact, low-maintenance wood boiler for half-metre logs.



CTC V35 is our truly classic wood boiler with ceramic hearth. Compact and low-maintenance with spacious interior. 90% efficiency.

CTC V35 has a rated output of 35 kW and operates using reverse combustion. The suction fan produces an even draught and better control over the whole combustion process. The hearth with its ceramic grate and a new, strong burn plate has a capacity of 105 litres and takes half-metre logs.

The afterburn chamber that treats secondary air achieves almost total combustion of flue gases. The design ensures that the energy content of the wood really is utilised in the best way possible.

The large filling hatch makes it easy to add logs and the suction fan prevents excessive smoke. The CTC V35 has an easily accessible fan and a chimney flue that is connected upwards or on the side. Ash is emptied from the left or right during sweeping.

To achieve optimal operation with the greatest comfort and least possible effort, the wood boiler must always operate with a water volume of at least 1,500 litres. We recommend using a charge system to control tank charging. CTC V35 can be connected to any combination of our hot water storage tanks, with or without hot water heating.

CTC have always been tree-huggers. When you have roots in Småland, your heart is always warmed by what the forest provides. And it was with our wood boilers that we launched our company in 1923. Year after year we work on new solutions to squeeze even more energy out of each log. Today's boilers are considerably better than before. They are cleaner, more eco-friendly and more comfortable.

Ecodesign data scale (A+++ to G).

Benefits:

- Output of 35 kW.
- 90 % efficiency level
- Reverse combustion – Suction fan
- Takes half-metre logs.
- Hearth with ceramic grate with capacity of no less than 105 litres.
- The afterburn chamber achieves almost total combustion
- Large filling hatch
- Ash emptying from the left or right
- Simple to maintain



Find a CTC distributor in your home country
www.ctc-heating.com

CTC's hot water storage tanks are designed for almost all types of energy sources. They are available in several models and can also be combined to fit most heating systems and properties.



750

Insulated, 750 litre volume tank.
Outlet for immersion heater/heat source connection 2".
CTC no.: 588352301

750/75

Insulated, 750 litre coil tank with 3 x 25 m hot water coils.
Outlet for immersion heater/heat source connection 2".
CTC no.: 588347301

750/50

Insulated, 750 litre coil tank with 2 x 25 m hot water coils.
Outlet for immersion heater/heat source connection 2".
CTC no.: 588348301

500

Insulated, 500 litre volume tank.
Outlet for immersion heater/heat source connection 2".
CTC no.: 588353301

500/50

Insulated, 500 litre coil tank with 2 x 25 m hot water coils.
Outlet for immersion heater/heat source connection 2".
CTC no.: 588349301

500/25

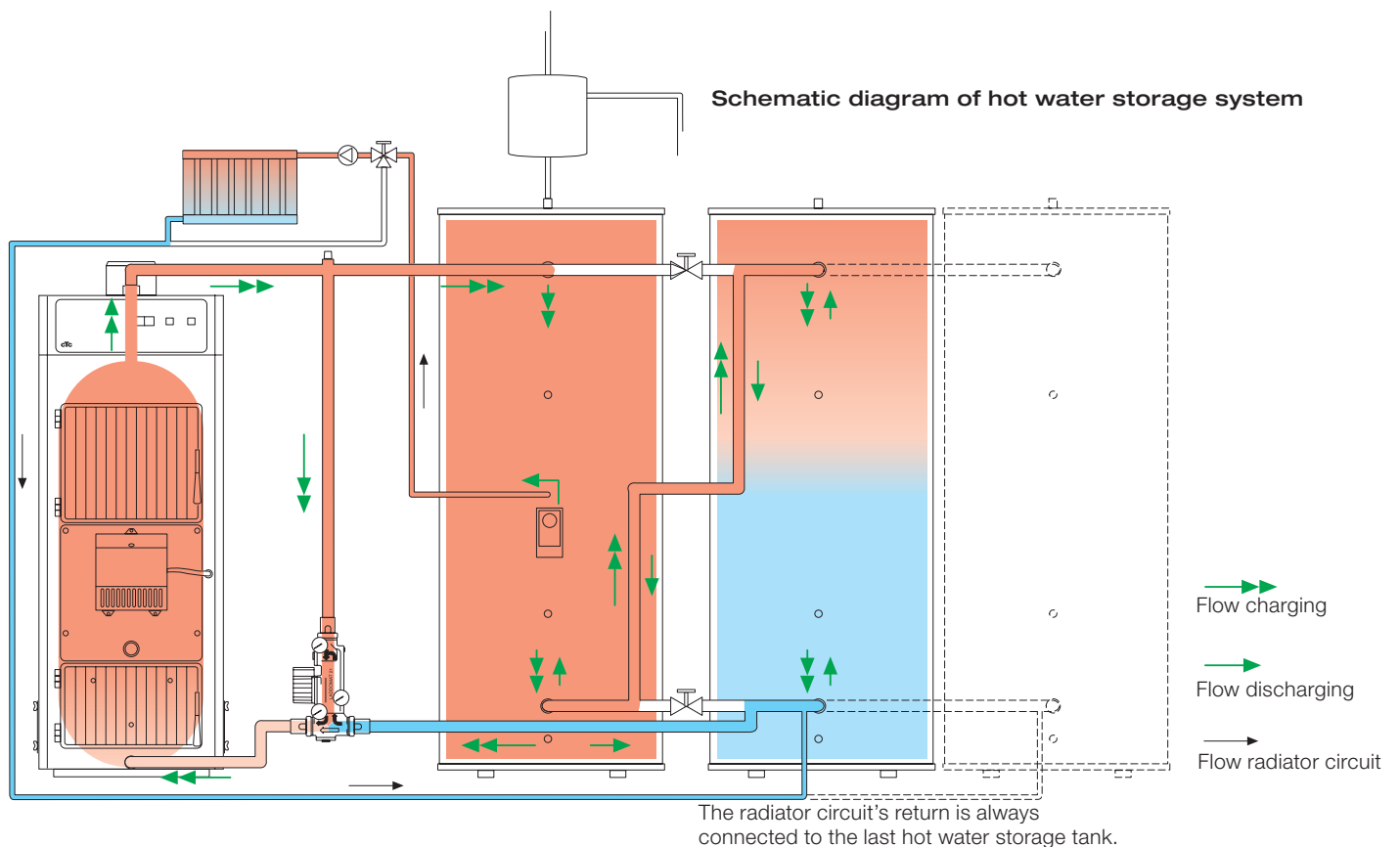
Insulated, 500 litre coil tank with 25 m hot water coil.
Outlet for immersion heater/heat source connection 2".
CTC no.: 588350301

300

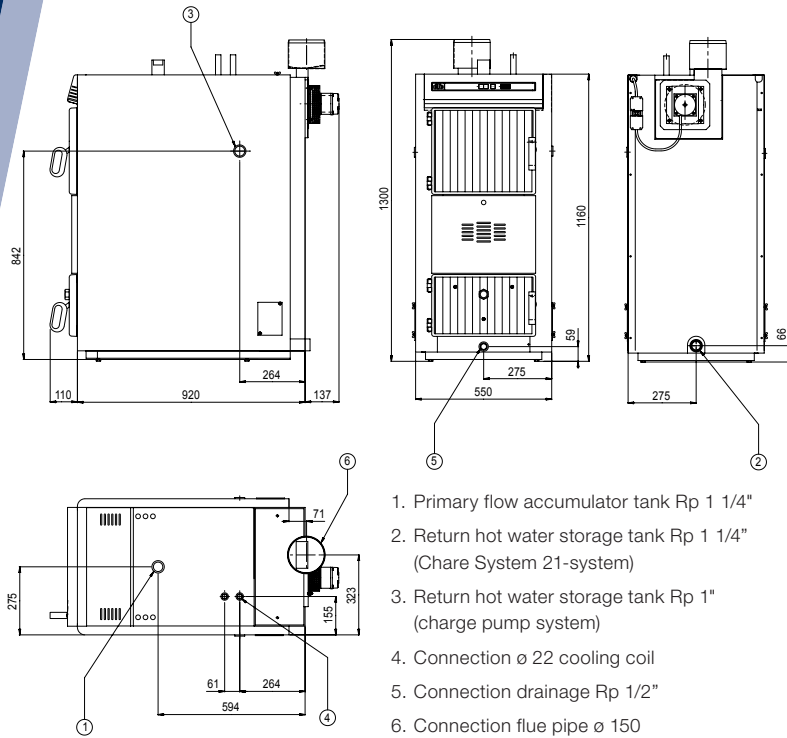
Insulated, 300 litre volume tank with two mounted thermometers. Outlet for immersion heater 2". Connection to heat source 1 1/4".
CTC no.: 588354301

300/20

Insulated, 300 litre coil tank with 20 m hot water coil and two mounted thermometers. Outlet for an immersion heater 2". Heat source connection 1 1/4".
CTC no.: 588351301



Dimensions diagram



Delivery includes:

Wood boiler with manual, angled flue pipe with sweeping hatch and sweeping equipment.



Accessories:

Accessories:	CTC no.:
CTC Charge System 21-60	586095001
Upward flue pipe with sweeping hatch	573490001
Flue pipe extension 1 m \varnothing 139 mm	573372001
Flue pipe extension 1 m 170x110 mm	553624012

Technical data CTC V35

CTC no.		587080001
Weight (packaged weight)	kg	340 (355)
Dimensions (depth x width x height)	mm	1007 x 550 x 1160
Electrical Data, connection		230V 1N~ 50 Hz 100 W
Energy efficiency class – heating system (with CTC EcoLogic control unit)/(without control unit)		A ⁺ / A ⁺
Efficiency Index – Heat EEL (with CTC control unit EcoLogic)/(without control unit)		112/ 109
Seasonal energy efficiency – room heating η_s	%	74
Boiler class (as per EN 303-5)		Klass 3
Required hot water storage tank (as per EN 303-5)	litres	1409
Rated power	kW	34
Wood magazine (Dimensions dxwxh 575x330x540mm)	litres	105
Log length max. (Recommended moisture content \leq 25%)	mm	575
Max. operating pressure (PS)	bar	3
Max. operating temperature (TS)	$^{\circ}$ C	110
Water volume – Heating system (V)	litres	100
Minimum chimney draught	mbar	0.15
Flue gas temperature max. (default setting)	$^{\circ}$ C	280
Combustion air	m ³ /h	69
Flue gas amount	kg/s	0.0315
Min. return temperature	$^{\circ}$ C	55

Energy labels and data sheets can be downloaded from www.ctc-heating.com/Ecodesign.
 Ecodesign data scale: A++ to G

